



■ LBS060DAnD

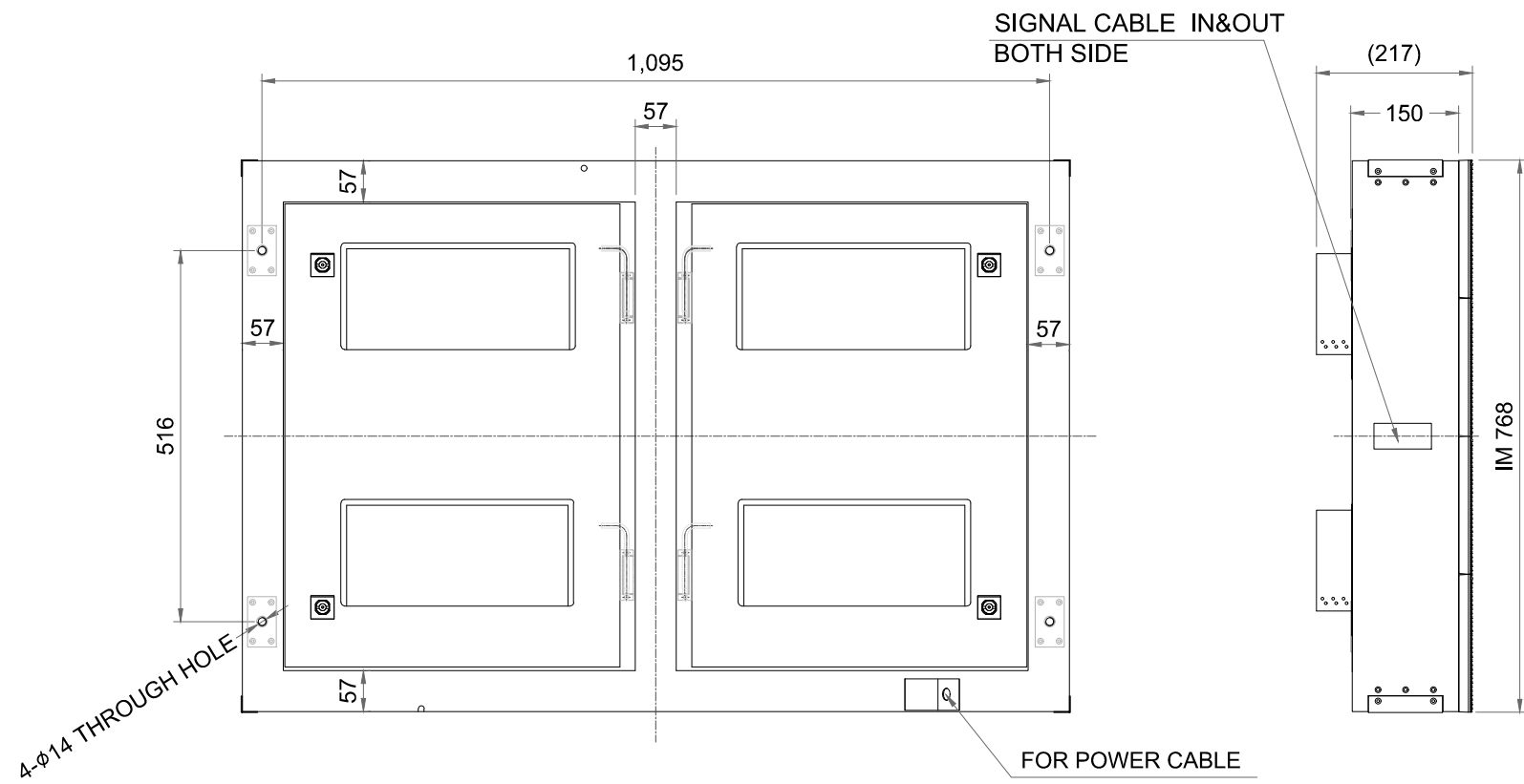
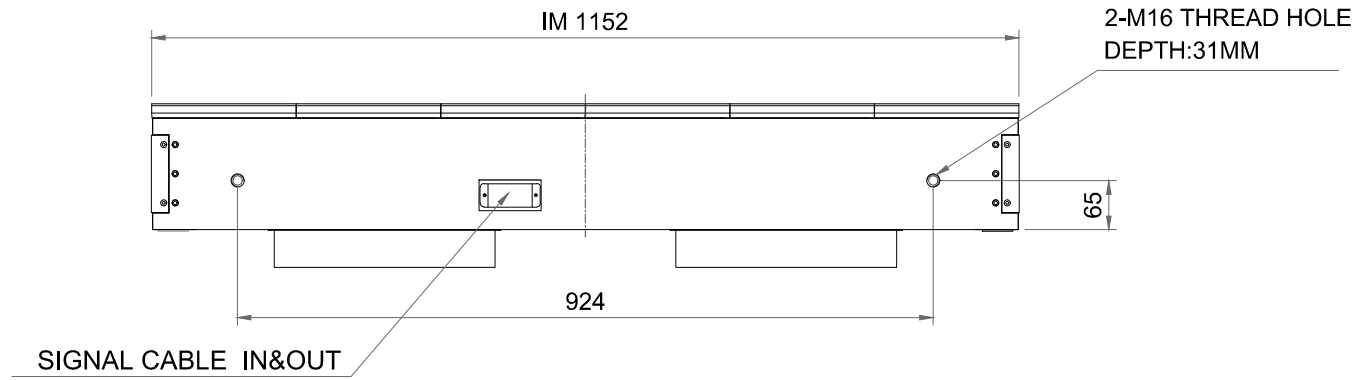
- SIZE: W1,152 x H768 x D217

PROJECT TITLE

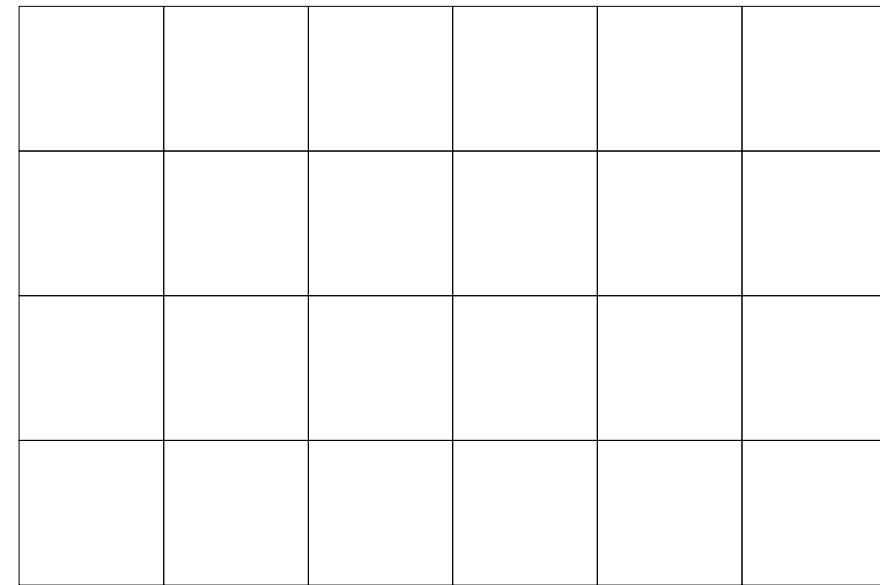
LED Screen

NOTE

1. This drawing is only for reference.
2. Specifications subject to change without notice.



6x4 MODULE



REVISIONS DATE

DRAWN BY KH. SEO

DESIGNED BY

CHECKED BY

APPROVED BY

DRAWING TITLE Cabinet Elevation LBS060DAnD (6x4)

MATERIAL

SCALE 1 / 10

DATE 2015. 10. 20.

SHEET NO. DRAFT

REV. A

- NOTES:
1. MATERIAL:2.0MM AL 5052 PLATE.
 2. FRONT SURFACE (appointed region) AND INNER SURFACE FINISHING TO BE CHROMATED ONLY. THE OTHERS OUTSIDE SURFACE FINISHING TO BE POWDER COATING MATTE BLACK.
 3. PANEL INGRESS PROTECTION : IP65 FOR FRONT AND IP54 FOR REAR.

AS(1:200)B(1mm)2(2up)