

■ GSCCxxx-GN  
 - SIZE: W 640mm X H 720mm

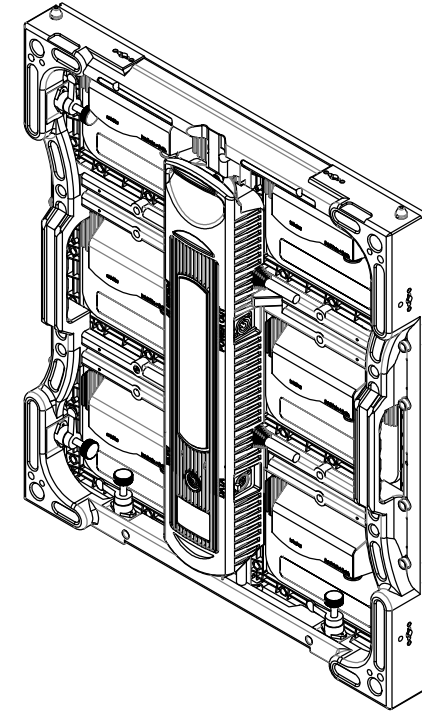


PROJECT TITLE

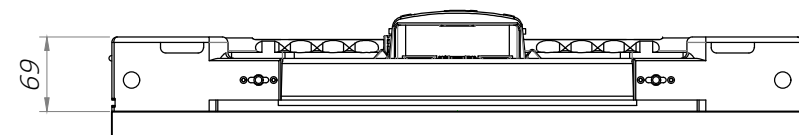
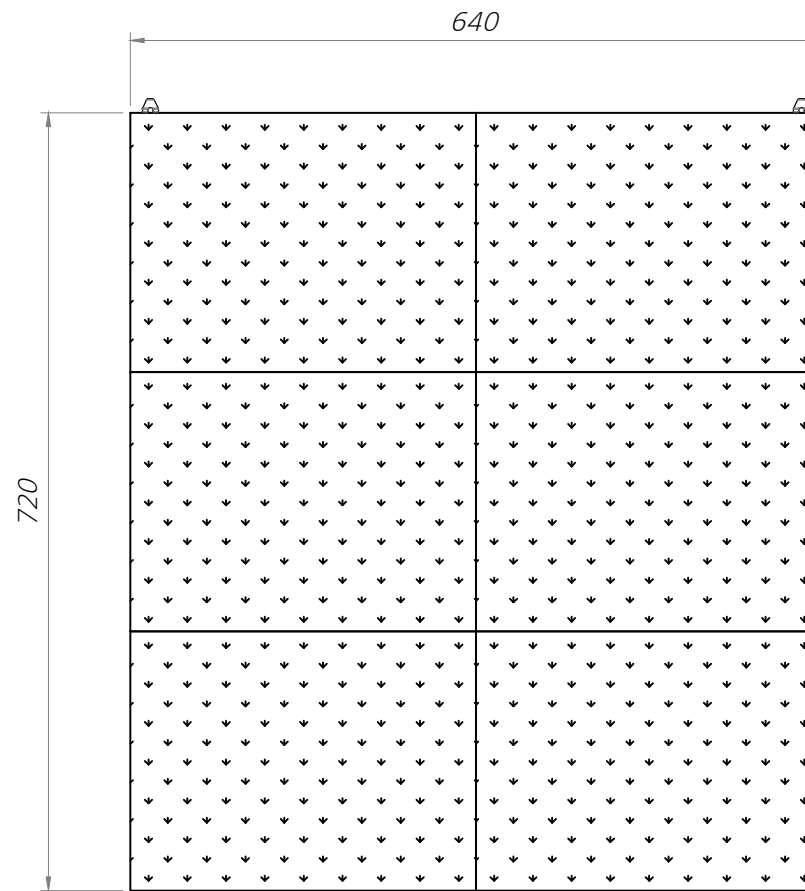
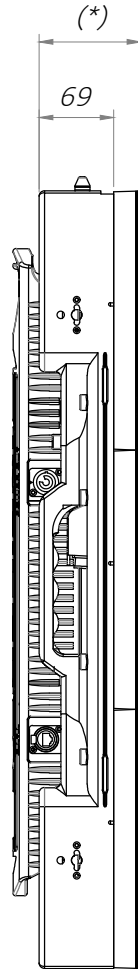
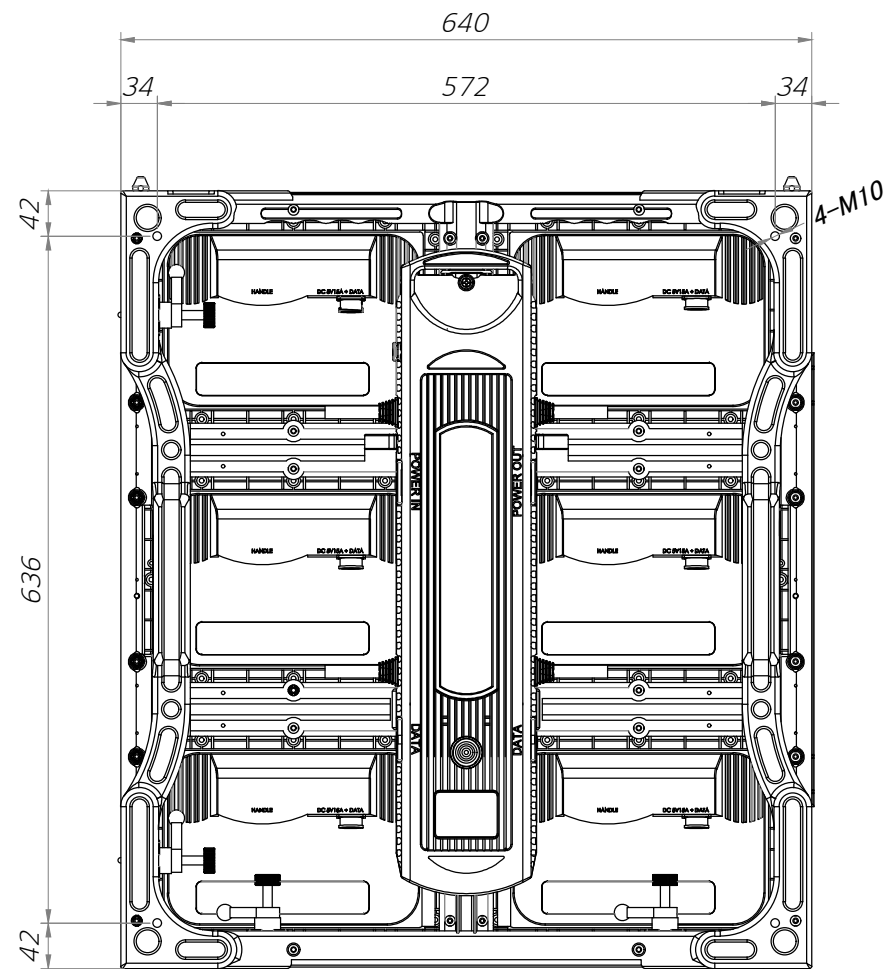
LED Screen

NOTE

1. This drawing is only for reference.
2. Specifications subject to change without notice.



- \* GSCC066-GN : 89mm
- \* GSCC080-GN : 91mm
- \* GSCC160-GN : 100mm



△		
△		
△		
△		
△		
△		
△		
△		
△		

REVISIONS DATE

DRAWN BY

DESIGNED BY

CHECKED BY

APPROVED BY

DRAWING TITLE  
 Cabinet Elevation  
 GSCCxxx-GN

MATERIAL

SCALE 1 / 7

DATE 2020. 05. 12.

SHEET NO. - REV. A

AS4200(27mm 27mm)